



SMART GROUND MONITOR

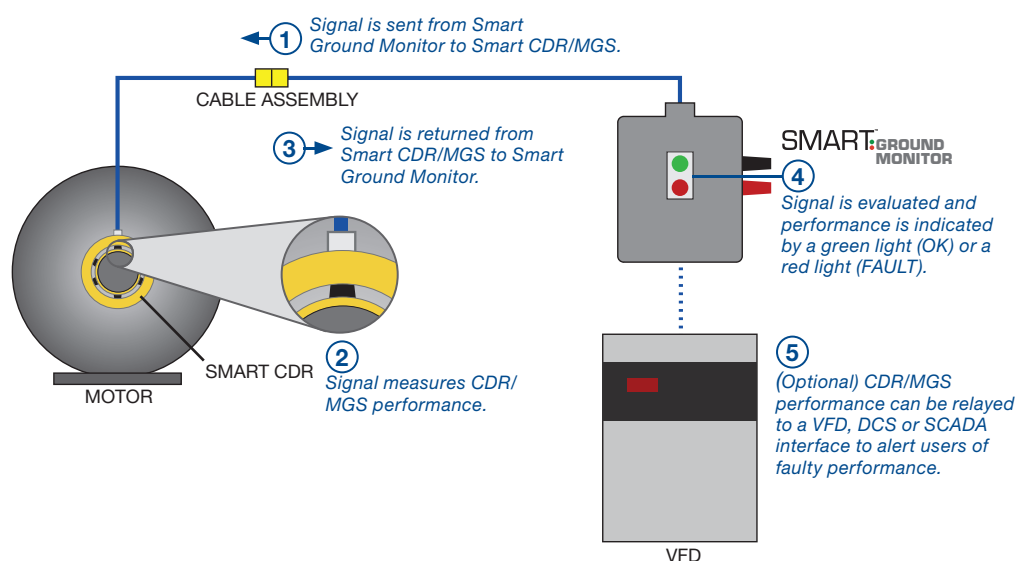
Ensure Optimum Shaft Grounding Performance

The Inpro/Seal® Smart Ground Monitor provides instant feedback on the performance of their Smart CDR® or Smart MGS®.

Variable frequency drives (VFDs) can produce harmful shaft currents, a leading cause of premature bearing failure in VFD-driven equipment. Shaft grounding devices such as the Inpro/Seal Smart CDR and Smart MGS divert shaft currents away from bearings to ground and protect the bearings from these harmful currents; however, operating environments, installation and other conditions can make effectiveness difficult to gauge.

The Smart Ground Monitor provides a leading indicator of shaft grounding performance. The sensor utilizes a simple interface to alert users in real time if the conductive filaments do not have optimal contact with the shaft sleeve or rotor. If contact has been interrupted, routine maintenance can return shaft grounding to peak performance before bearing damage occurs, saving both time and money.

HOW IT WORKS



ADVANTAGES

The Inpro/Seal Smart Ground Monitor:

- Provides users with continuous feedback on shaft grounding performance
- Has external ports for safe and convenient oscilloscope readings
- Has two available modes:
 - Stand-alone: Performance status must be checked at the equipment
 - Auto: Performance status is relayed to a VFD, DCS or SCADA interface for remote monitoring and system integration



www.inpro-seal.com | info@inpro-seal.com

